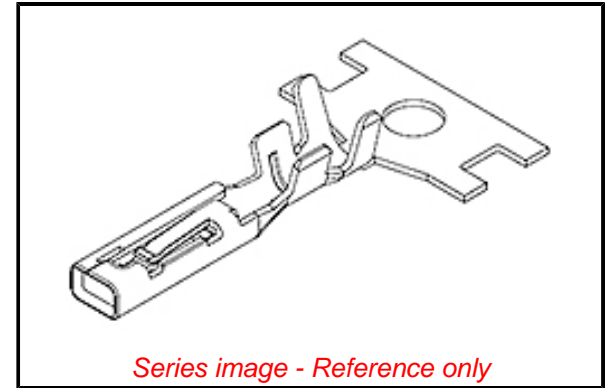


PLEASE CHECK WWW.MOLEX.COM FOR LATEST PART INFORMATION

Part Number: [5050731100](#)
Status: **Active**
Overview: TermiMate One-Circuit Terminal-Style Connector System
Description: TermiMate Crimp Terminal Receptacle, 1.20mm Mated Height

Documents:

3D Model	Application Specification AS-505071-001-001 (PDF)
Drawing (PDF)	Packaging Specification SPK-505073-001-001 (PDF)
3D Model (PDF)	RoHS Certificate of Compliance (PDF)
Product Specification PS-505071-001-001 (PDF)	



General

Product Family	Crimp Terminals
Series	505073
Application	Signal, Wire-to-Board
Comments	See Product Specification for maximum current rating by wire AWG
Crimp Quality Equipment Overview	Yes TermiMate One-Circuit Terminal-Style Connector System
Product Name	TermiMate
UPC	887191571041

Physical

Durability (mating cycles max)	20
Gender	Female
Material - Metal	Copper Alloy
Material - Plating Mating	Tin
Net Weight	54.000/mg
Packaging Type	Reel
Plating min - Mating	0.406µm
Termination Interface: Style	Crimp or Compression
Wire Insulation Diameter	0.9-1.7mm
Wire Size AWG	22, 24, 26
Wire Size mm ²	0.126-0.34

Electrical

Current - Maximum per Contact	3.0A
Voltage - Maximum	125V AC (RMS)/DC

Material Info

Reference - Drawing Numbers

Application Specification	AS-505071-001-001
Application Tooling Documents	IS-0006E-001 , IS-0006J-001 , IS-0117E-001 , IS-0117JE-001 , IS-5781406000JE-001 , IS-5781406100JE-001
Crimp Specification	CS-505073-001-001
Packaging Specification	SPK-505073-001-001
Product Specification	PS-505071-001-001
Sales Drawing	SD-505073-001-001

EU ELV

Not Relevant

EU RoHS

Compliant

REACH SVHC

Not Contained Per -
D(2021)4569-DC (8
July 2021)

Halogen-Free

Status

Low-Halogen

For more information, please visit [Contact US](#)

China ROHS

ELV

RoHS Phthalates

China RoHS

Green Image

Not Relevant

Not Contained

Search Parts in this Series

[505073 Series](#)

Mates With

[TermiMate PCB Plug Terminal 5050710101](#)

Application Tooling | FAQ

Tooling specifications and manuals are found by selecting the products below. Crimp Height Specifications are then contained in the Application Tooling Specification document.

Global

Description

Product #

Unlatching Tool for TermiMate 505071 Plug Terminal for removal of TermiMate 505073 Crimp Terminal Receptacle	638245010
Hand Crimp Tool for TermiMate Crimp Terminal Receptacle, 22-26 AWG Wire	638277500

Hand Crimp Tool for [638277600](#)
TermiMate Crimp
Terminal Receptacle,
22-26 AWG Wire
FineAdjust Applicator [639037200](#)
for TermiMate 1
Circuit Wire-to-Board
Crimp Terminals,
22-26 AWG

Japan

Description	Product #
S-1 Applicator for TermiMate Terminals, 22-26 AWG	5781403700

This document was generated on 01/25/2022

PLEASE CHECK WWW.MOLEX.COM FOR LATEST PART INFORMATION